



CUSTOMIZED PUMPS

Right Pump. Right Now.®

DRAWING SUBMITTAL

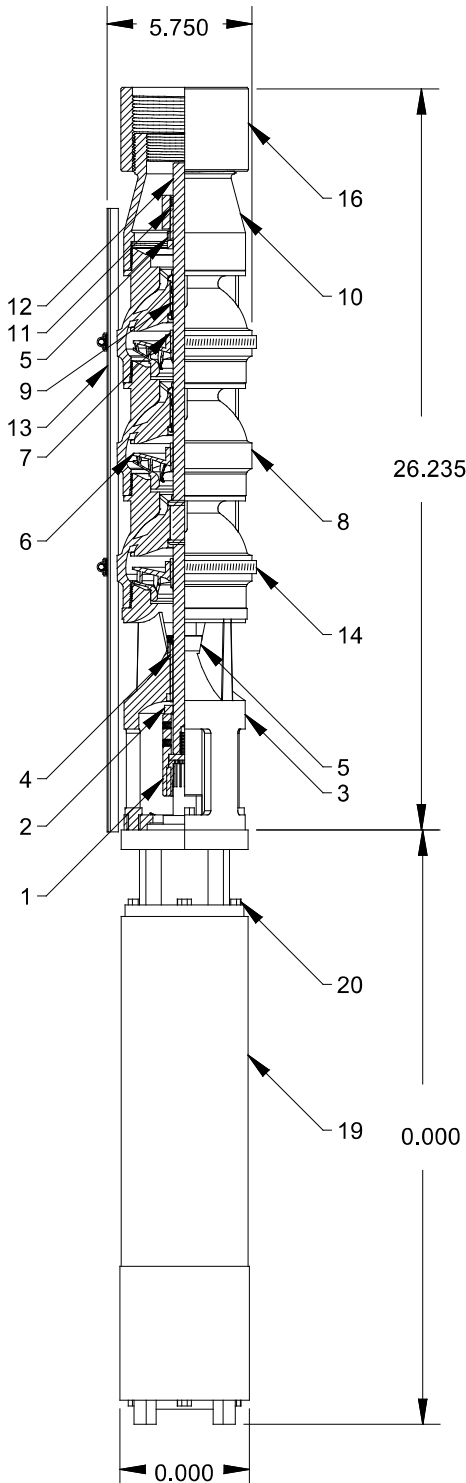
Quote Number:

DQ000269-1

Label:

Date:

10/27/2021



Pump Data

Pump Size:	5MH7V	Column Diameter:	3"
# Of Stages:		Motor Bracket Size:	6"
Impeller Dia.		Motor Manufacturer:	
Specified Flow:		Selected Motor Power:	
Specified Head:		Motor Speed:	3600
Discharge Type:	Discharge with Bearing Housing (Red Top)	Phase / Frequency	/
		Voltage	

Weights

Bowl Assembly Weight:	65 lbs.
Motor Weight:	0 lbs.
Total Weight:	65 lbs.

Bill of Materials

Item	Part Name	Material	ASTM #
1	Motor Coupling	416SS	A582 S41600
2	Thrust Spacer	Bronze	B584
3	Motor Bracket	Ductile Iron	A536
4	Motor Bracket Bearing	Bronze	B584
5	Sand Collar	Bronze	B584
6	Impeller	304SS	A744M
7	Taper Lock	416SS	A582 S41600
8	Intermediate Bowl	Cast Iron/Glassed Lined	
9	Bowl Bearing	Rubber	D1418
10	Discharge	Ductile Iron	A536
11	Discharge Bearing	Bronze	B584
12	Bowl Shaft	416SS	A582 S41600
13	Cable Guard	304SS	A276
14	Clamp	304SS	A276
15	Discharge Ring	Ductile Iron	A536
17	Cap Screw		
18	Plug	Malleable Iron	A197
19	Submersible Motor	STD	
20	Motor Bolts	18-8 SS	A193
21	Discharge Material	Ductile Iron	A536