



CUSTOMIZED PUMPS

Right Pump. Right Now.®

DRAWING SUBMITTAL

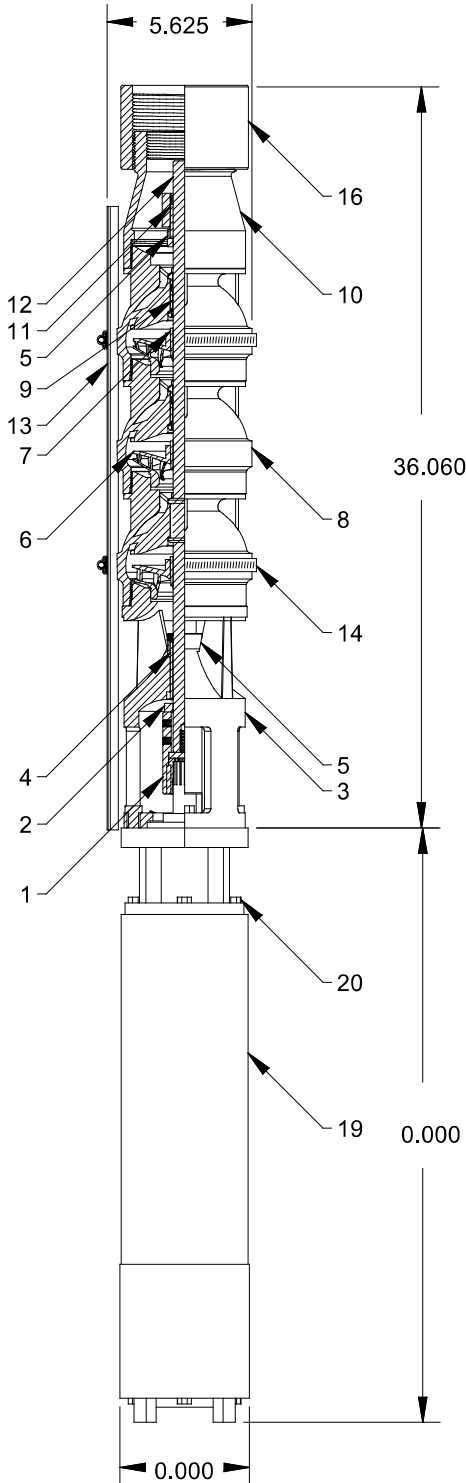
Quote Number:

DQ000269-1

Label:

Date:

10/27/2021



Pump Data

| | | | |
|------------------------|--|------------------------------|------|
| Pump Size: | 5HH7V | Column Diameter: | 3" |
| # Of Stages: | | Motor Bracket Size: | 6" |
| Impeller Dia. | | Motor Manufacturer: | |
| Specified Flow: | | Selected Motor Power: | |
| Specified Head: | | Motor Speed: | 3600 |
| Discharge Type: | Discharge with Bearing Housing (Red Top) | Phase / Frequency | / |
| | | Voltage | |

Weights

| | |
|------------------------------|---------|
| Bowl Assembly Weight: | 92 lbs. |
| Motor Weight: | 0 lbs. |
| Total Weight: | 92 lbs. |

Bill of Materials

| Item | Part Name | Material | ASTM # |
|------|-----------------------|-------------------------|-------------|
| 1 | Motor Coupling | 416SS | A582 S41600 |
| 2 | Thrust Spacer | Bronze | B584 |
| 3 | Motor Bracket | Ductile Iron | A536 |
| 4 | Motor Bracket Bearing | Bronze | B584 |
| 5 | Sand Collar | Bronze | B584 |
| 6 | Impeller | 304SS | A744M |
| 7 | Taper Lock | 416SS | A582 S41600 |
| 8 | Intermediate Bowl | Cast Iron/Glassed Lined | |
| 9 | Bowl Bearing | Rubber | D1418 |
| 10 | Discharge | Ductile Iron | A536 |
| 11 | Discharge Bearing | Bronze | B584 |
| 12 | Bowl Shaft | 416SS | A582 S41600 |
| 13 | Cable Guard | 304SS | A276 |
| 14 | Clamp | 304SS | A276 |
| 15 | Discharge Ring | Ductile Iron | A536 |
| 17 | Cap Screw | | |
| 18 | Plug | | |
| 19 | Submersible Motor | STD | |
| 20 | Motor Bolts | 18-8 SS | A193 |
| 21 | Discharge Material | Ductile Iron | A536 |