

Vu-Flow Filter Features:

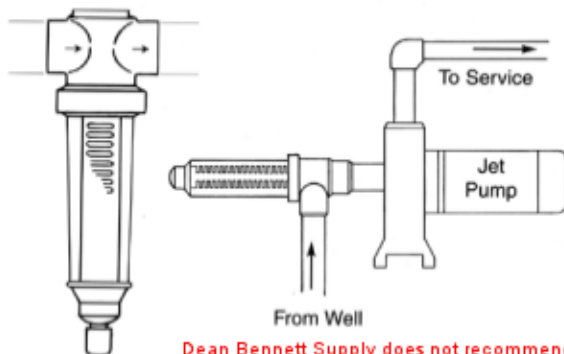
- Easy installation on suction or discharge side of pump.
- Filtered material collects on the outside of the screen, making it easy to clean.
- Clear polycarbonate housing permits instant visual inspection.
- Molded PVC filter body allows glue together installation similar to standard PVC pipe fittings.
- Molded from UV stabilized weather resistant materials for long service life.
- Most models have 1/2" MNPT cover drain outlet for quick one step purge cleaning.
- Inlet and outlet slip can be bushed to fit required pipe size.
- Polyester screens are easily cleaned and re-used eliminating expensive replacement.
- Stainless steel screens are available special order..
- Maximum operating pressure: 150 psi @ 73°F.
- Flow rates from 1-100 gallons per minute.
- Screen mesh sizes smaller than 250 (61 microns) are supported with No. 30 mesh to assure durability.

• WATER USE ONLY

EQUIVALENCY CHART

MESH	MICRONS	INCHES
24	711	0.028
* 30	533	0.021
40	381	0.015
* 60	254	0.010
* 100	152	0.006
* 140	104	0.004
250	61	0.0024
500	30	0.0012
1000	15	0.0006

* Also available with stainless steel by special order



Dean Bennett Supply does not recommend suction side installation of this type filter due to possible damage to pump

INSTALLATION

- Install on suction or discharge side of system.
- Install on discharge to allow use of purge valve for easy one step purge cleaning. * Do not install filters with purge valves on suction side of pump.
- Manifold two or more filters for applications with flow rates higher than 100 GPM.
- Hand tighten only - Use of tools voids warranty