

INLINE CONSTANT PRESSURE - INLINE 1100

The Inline 1100 provides constant pressure for both private wells and municipal/city water systems.

FEATURES

- Pump, motor, drive, and pressure switch in one box as a packaged system
- Small and compact design fits into small areas, even between floor joists
- Stainless steel construction for years of operation
- Simple and easy installation with step-by-step illustrated instructions
- Integrated motor design allows water to flow around it for quiet and cool operation
- NEMA 4 (IP56) electronics enclosure
- Multiple mounting configurations allow for the unit to be installed where you need it, whether horizontal, vertical, or even upside down
- Built-in system protections guard against many common failure modes including surge protection, voltage underload, locked pump, open circuit, short circuit, and overheated controller
- Product power rating: 1.2 hp, 0.9 kW
- Shipping weight: 50 lbs, 22.7 kg



APPLICATIONS

- Boosted and constant water pressure from water storage/cistern systems
- Homes (both private and municipal applications)
- General pressure boosting
- Sprinkler systems
- Farming and commercial wash down systems

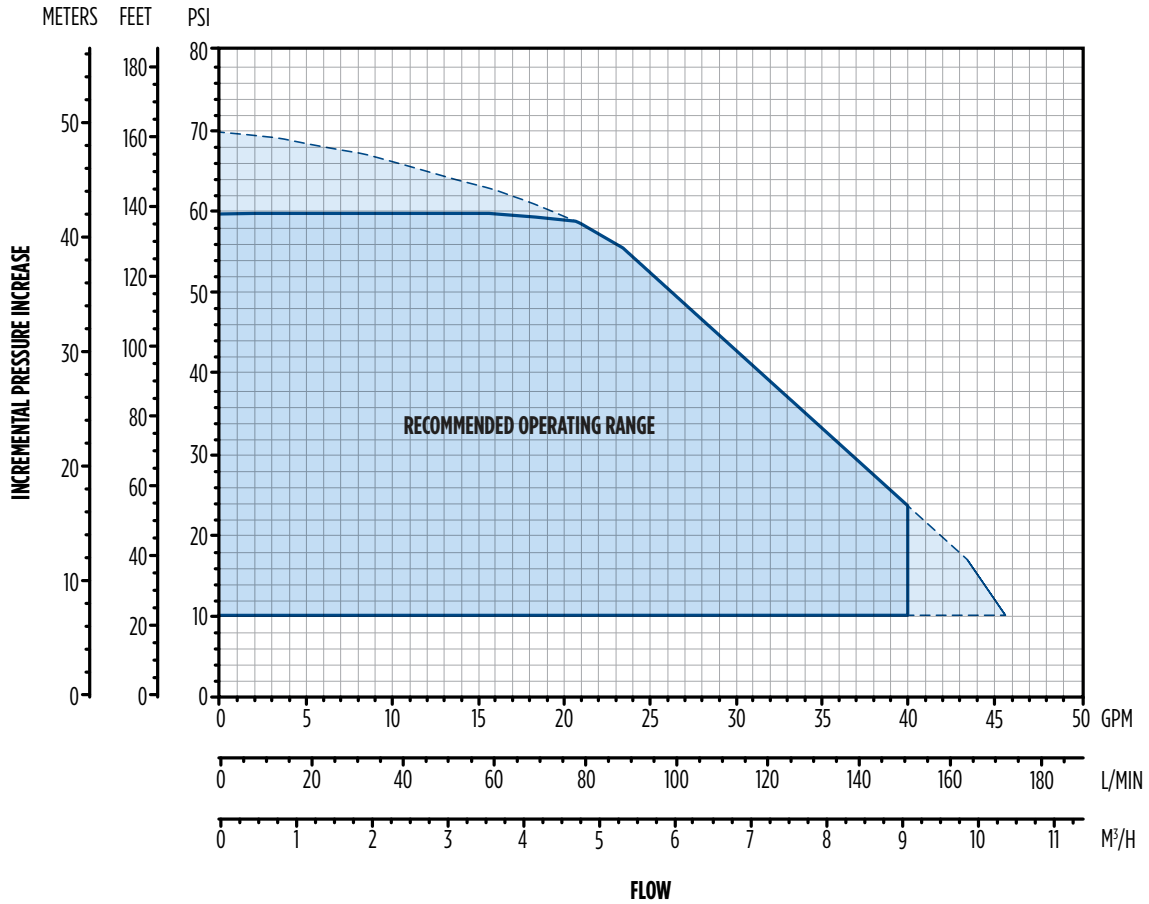
ORDERING INFORMATION

Model Description	Order No.	Input Voltage	Input Phase
25SDIL1100N4* (Complete pump w/NPT)	90401101	230	Single
25SDIL1100N4-B* (Complete pump w/BSP)	90401102		
Electronic Drive Assembly	305707901		
Pump & Motor Assembly w/NPT	305707902		
Pump & Motor Assembly w/BSP	305707911		
Mounting Feet	305707903		
Pressure Switch	305707906	N/A	N/A
Pressure Tank (2 gallon)	305707910		
Fastener Kit	305707904		
Pressure Switch Cable	305707905		
Overpressure Switch**	305707909		
Overpressure Switch Cable**	305707908		
Overpressure Switch & Cable Combo**	305707912		
Thermostat Kit	305707917		

* Includes pump, motor, drive, pressure switch, and all cables
 ** Overpressure switch is sold as an accessory and is not required for normal operation

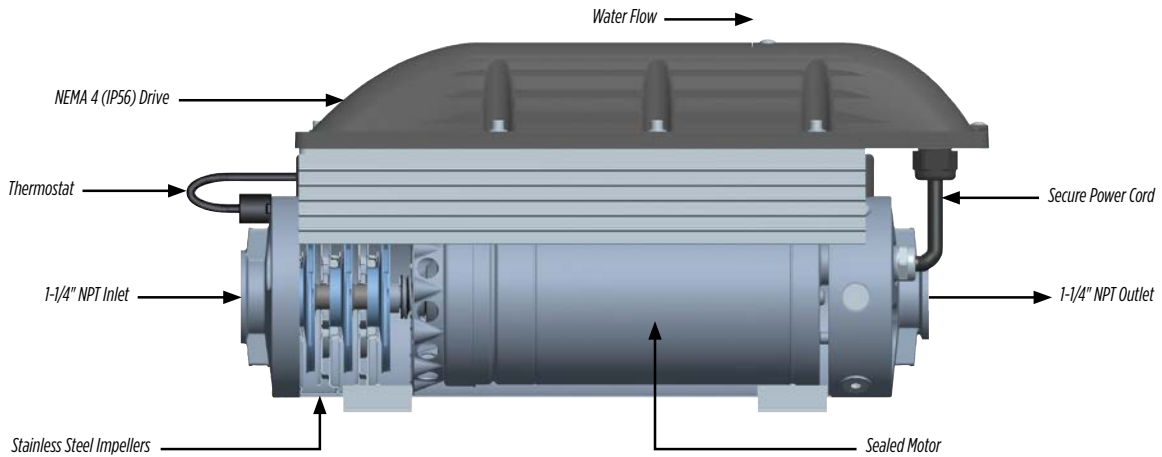
INLINE CONSTANT PRESSURE - INLINE 1100

PERFORMANCE



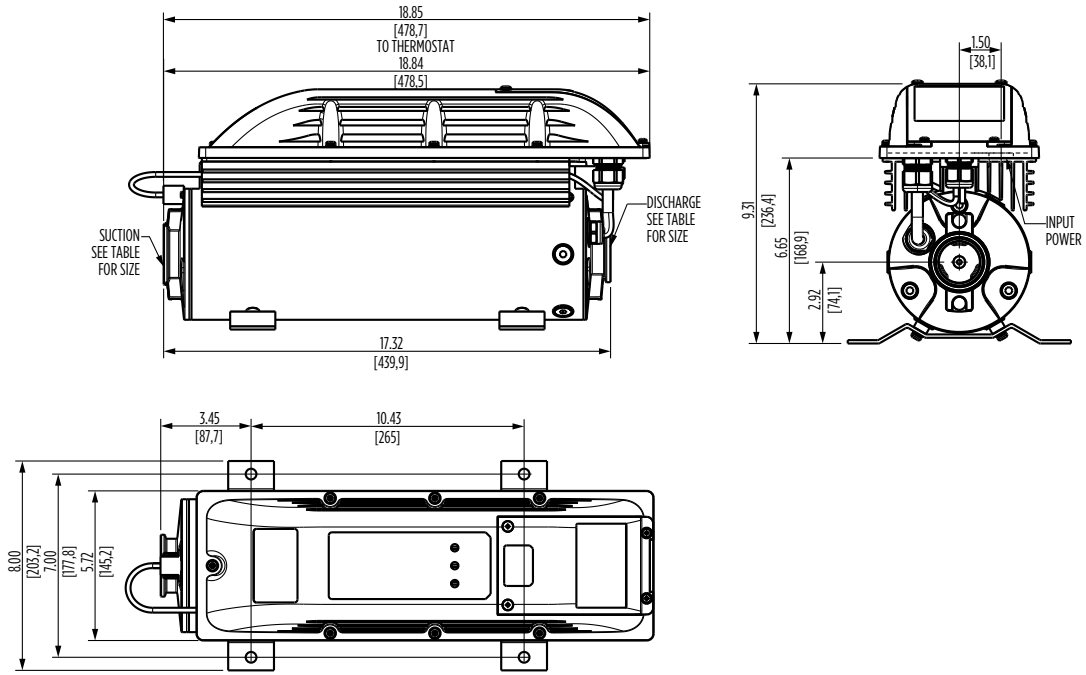
NOTE: Running outside of 'Recommended Operating Range' for short periods of time is permissible.

SYSTEM COMPONENTS

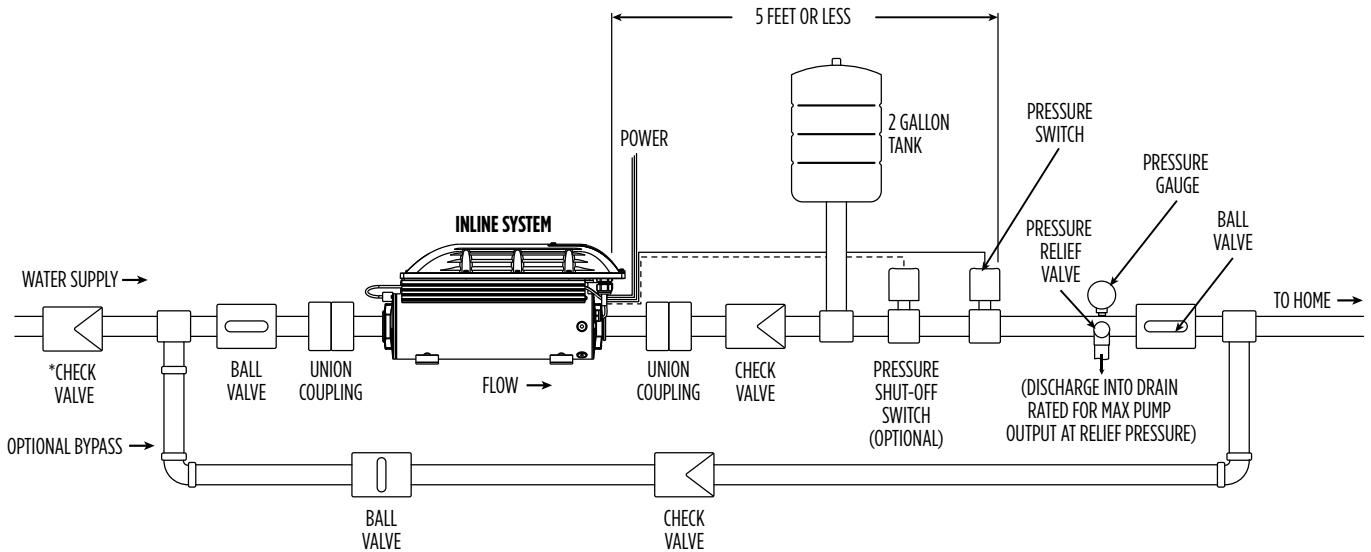


INLINE CONSTANT PRESSURE - INLINE 1100

DIMENSIONS



TYPICAL INSTALLATION



NOTE: These optional components are shown in a typical installation diagram. They should be used at the installer's discretion as required for particular applications.
 * When connected to a municipal system, if the plumbing does not have a backflow prevention device, a check valve is required on the incoming water supply line.
 If installed on a cistern, the check valve should be passive or be eliminated.