



Price*: 99.00 USD



Main

Range of product	OsiSense XM
Pressure sensor type	Electromechanical pressure sensor
Pressure sensor name	FSG
Pressure Rating	66.72 Psi (4.6 bar)
Fluid connection type	G 1/4 (female) ISO 228
Controlled fluid	Fresh water 32...158 °F (0...70 °C) Sea water 32...158 °F (0...70 °C)
Cable entry	2 cable entries with grommet
Contacts type and composition	2 NC snap action
Product Specific Application	-
Pressure switch type of operation	Regulation between 2 thresholds
Line Rated Current	10 A 250 V AC EN 60730-1
Electrical connection	Screw-clamp terminals 1 x 1...2 x 2 mm ²
Short-circuit protection	20 A cartridge fuse gG
Scale type	Adjustable differential
Setting	Internal
Local display	Without
Electrical circuit type	Power circuit

Complementary

Materials in contact with fluid	Nitrile Nylon 6/6 Zinc plated steel
Enclosure Material	PS
Operating position	Any position
Motor power kW	0.75 KW/1 Hp at 110 V AC, 1 phase 1.1 KW/1.5 Hp at 110 V AC, 3 phase 1.5 KW/2 Hp at 230 V AC, 1 phase 1.5 KW/2 Hp at 400 V AC, 1 phase 2.2 KW/3 Hp at 230 V AC, 3 phase 2.2 KW/3 Hp at 400 V AC, 3 phase
Adjustable range of switching point on falling pressure	4.35...49.31 Psi (0.3...3.4 bar)

Adjustable range of switching point on rising pressure	20.31...66.72 Psi (1.4...4.6 bar)
Possible differential minimum at low setting	14.50 Psi (1 bar)
Possible differential minimum at high setting	17.40 Psi (1.2 bar)
Possible differential maximum at low setting	30.46 Psi (2.1 bar)
Possible differential maximum at high setting	33.36 Psi (2.3 bar)
Maximum permissible accidental pressure	116.03 Psi (8 bar)
Maximum permissible pressure - per cycle	83.40 Psi (5.75 bar)
Destruction pressure	290.08 Psi (20 bar)
Pressure actuator	Diaphragm
Electrical durability	100000 Cycles 10 cyc/mn
Mechanical durability	1000000 Cycles
Terminal block type	4 terminals
Possible differential minimum at middle setting	15.95 Psi (1.1 bar)
Possible differential maximum at middle setting	31.91 Psi (2.2 bar)
Maximum operating rate	10 Cyc/Mn
[Ui] rated insulation voltage	500 V EN/IEC 60947-1
[Uimp] rated impulse withstand voltage	6 KV EN/IEC 60947-1
Product Weight	0.75 Lb(US) (0.34 kg)
Repeat accuracy	2 %
Terminals description ISO n°1	(3-4)NC (1-2)NC
Depth	4.02 In (102 mm)
Height	3.78 In (96 mm)
Width	2.83 In (72 mm)

Environment

Standards	EN/IEC 60730 CE
Ambient Air Temperature for Operation	32...113 °F (0...45 °C)
Ambient Air Temperature for Storage	-22...176 °F (-30...80 °C)
Protective treatment	TC
Electrical shock protection class	Class I conforming to IEC 536
IP degree of protection	IP20 conforming to EN/IEC 60529

Ordering and shipping details

Category	18407-WORLD SERVICE PARTS(SENSORS)
Discount Schedule	T
GTIN	3389110524222
Nbr. of units in pkg.	1
Package weight(Lbs)	12.98 Oz (368 g)
Returnability	No
Country of origin	MX

Packing Units

Unit Type of Package 1	PCE
Package 1 Height	4.06 In (10.3 cm)
Package 1 width	2.87 In (7.3 cm)
Package 1 Length	4.13 In (10.5 cm)
Unit Type of Package 2	S03
Number of Units in Package 2	25
Package 2 Weight	21.18 Lb(US) (9.606 kg)
Package 2 Height	11.81 In (30 cm)

Package 2 width	11.81 In (30 cm)
Package 2 Length	15.75 In (40 cm)

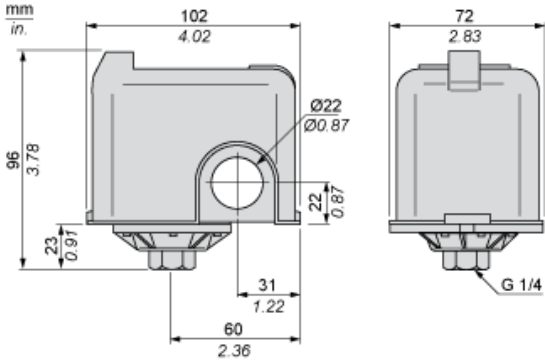
Offer Sustainability

Sustainable offer status	Green Premium product
California proposition 65	WARNING: This product can expose you to chemicals including: Diisononyl phthalate (DINP), which is known to the State of California to cause cancer, and Diisodecyl phthalate (DIDP), which is known to the State of California to cause birth defects or other reproductive harm. For more information go to www.P65Warnings.ca.gov
REACH Regulation	REACH Declaration
EU RoHS Directive	Compliant EU RoHS Declaration
Mercury free	Yes
RoHS exemption information	Yes
Environmental Disclosure	Product Environmental Profile
Circularity Profile	End Of Life Information

Contractual warranty

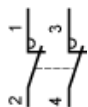
Warranty	18 months
----------	-----------

Dimensions



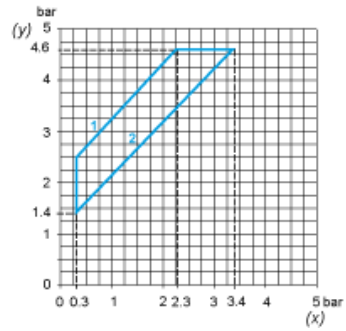
Wiring Diagram

Connections

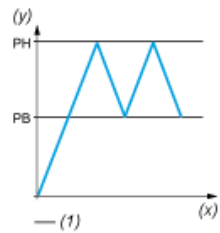


Curves

Operating Curves



- (y) Rising pressure
- (x) Falling pressure
- 1 : Maximum differential
- 2 : Minimum differential



- (y) Pressure
- (x) Time
- (1) Adjustable value

Product Life Status : Commercialised
--