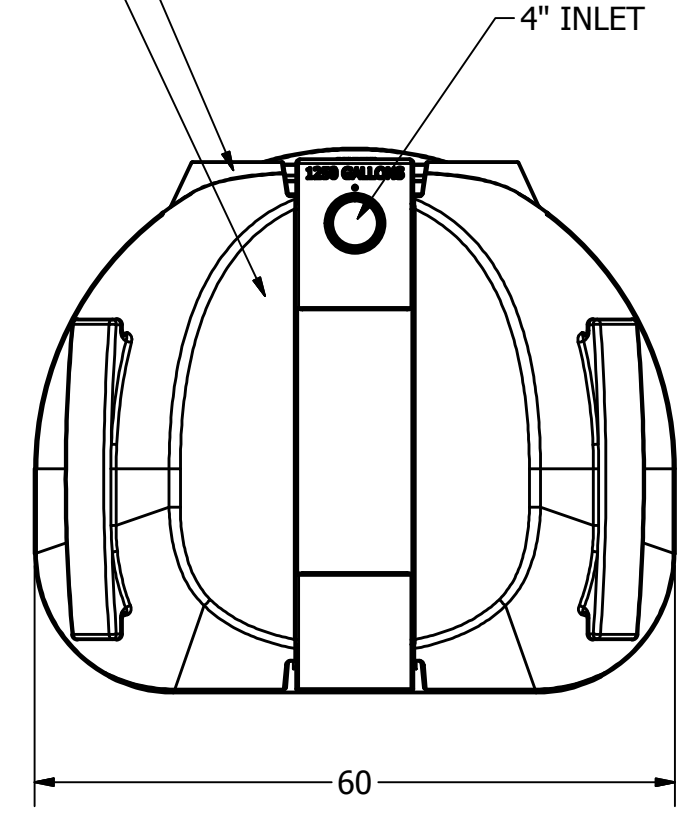
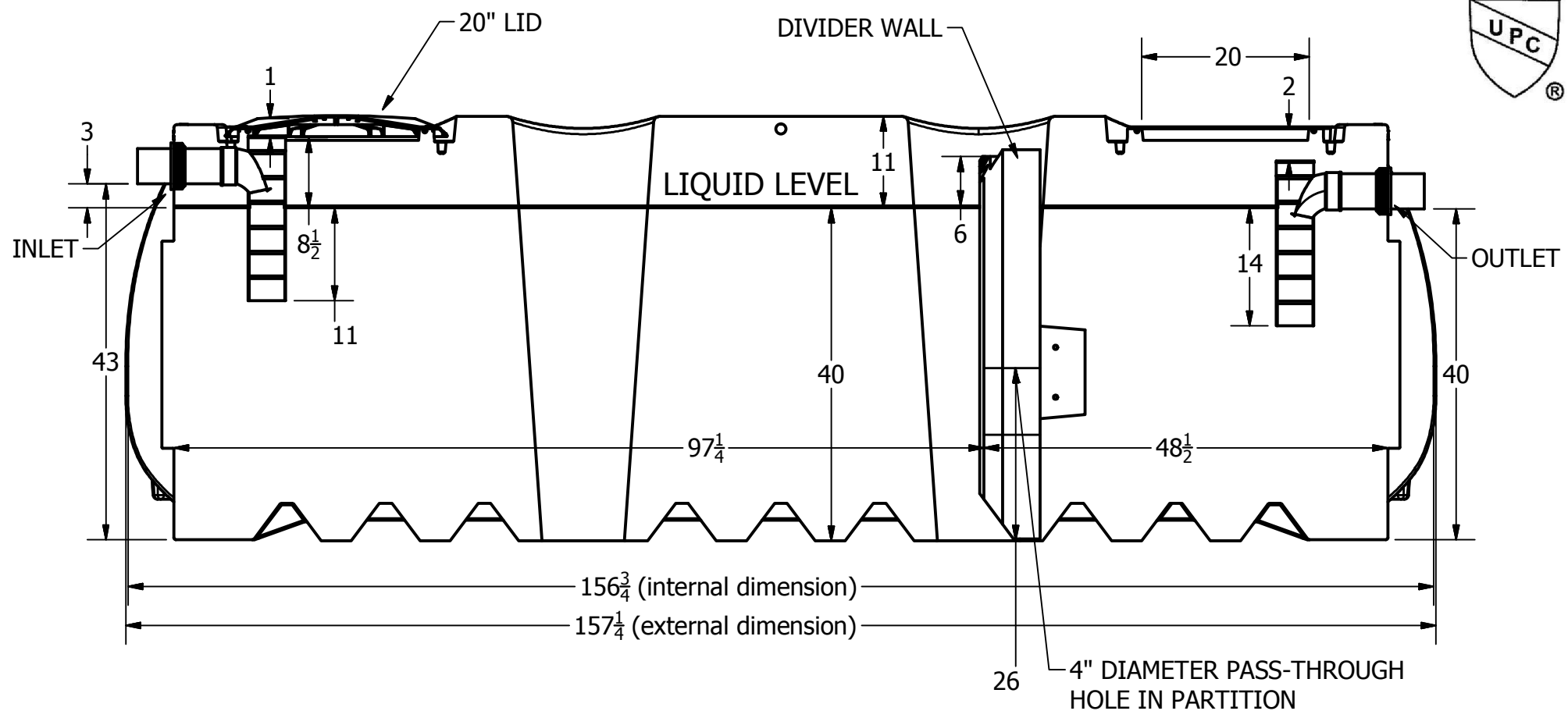


MATERIAL: HIGH-DENSITY POLYETHYLENE
 WALL THICKNESS: TANK WALL - .250"
 DIVIDER WALL - .19"

ZONE		REV	REVISION HISTORY	DATE	APPROVED
			DESCRIPTION		

SERIAL NUMBER EMBOSSED HERE
 CAN BE REFERENCED TO THE
 DATE OF MANUFACTURE

NORWESCO, INC.
 ST. BONIFACIUS, MN
 1250 GALLON CAPACITY
 MAX. EARTH COVER 3.0 FT.



OPERATING VOLUME: PRIMARY COMPARTMENT: 844 GALLONS
 OPERATING VOLUME: SECONDARY COMPARTMENT: 419 GALLONS

DRAWN Todd Bolzer	5/8/2012		
CHECKED		NORWESCO, INC., ST. BONIFACIUS, MN	
QA		TITLE	
MFG		1250 GALLON LOW PROFILE SEPTIC TANK - IAPMO	
APPROVED		SIZE B	DWG NO
		SCALE: 1/16	REV
		SHEET 1 OF 1	